



PH 07-3195 0404

706-718 BEAUDESERT ROAD, ROCKLEA, QLD 4106

sales@centurytrailers.com.au

Trading Hours: Mon - Fri: 9:00 am - 5:00 pm Saturday: 9:00 am - 1:00pm

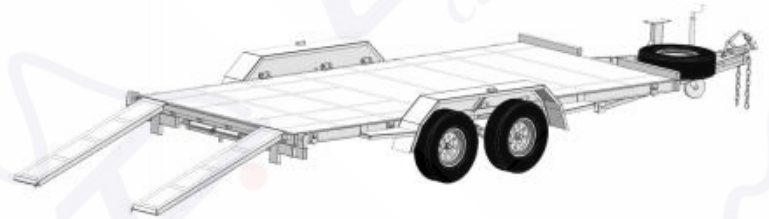
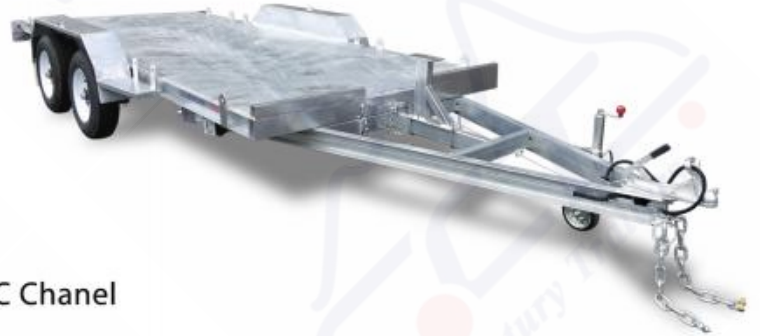
## 16.4ft × 6.6ft Car Trailer 3500kg

### Specifications:

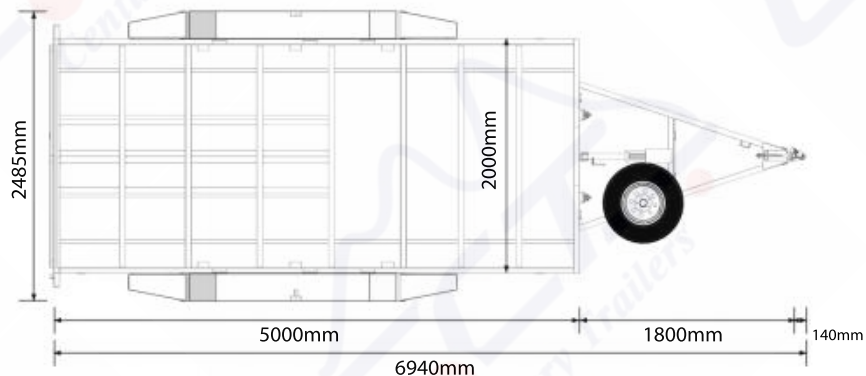
- ATM: 3500kg
- Tare: 1125kg
- Capacity: 2375kg
- Internal Trailer Size: 5000mm x 2000mm
- Drawbar: 1900mm, 120mm x 52mm Structure C Chanel
- Hot Dipped Galvanised
- Fully Welded Body & Chassis
- 2m 2Ton Under Body Slide Loading Ramps
- Flooring: Checker Plate Floor
- 8 × Tie Down Points
- Axle: Dual Axle, 50mm Round Solid Axle
- Brake: 12" Electric Drum On Four Wheels
- Springs: 60mm 7 Leaf 7mm Rocker Roller
- Wheel Size: 15"
- Tyre Size: 195/R15C
- Coupling: 50mm 3500kg
- Jockey Wheel: 8" Swing up
- Light: 12V-24V, LED
- Plug: 7 Pin, Flat/ Small Round/ Big Round
- 1 Year Limited Warranty

### Optional Extras/ Upgrades:

- Spare Wheel And Holder
- Mounting Winch Holder
- Tool Box



Top view



Side view

