



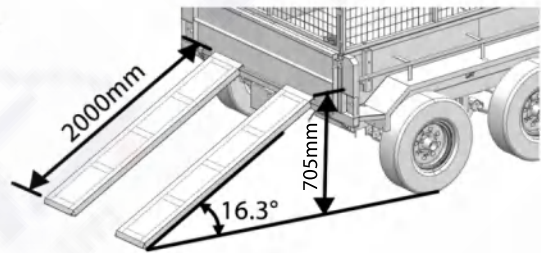
PH 07-3195 0404
 706 BEAUDESERT ROAD, ROCKLEA
 sales@centurytrailers.com.au

Trading Hours: Mon - Fri: 8:00 am - 5:00 pm Saturday: 9:00 am - 1:00pm

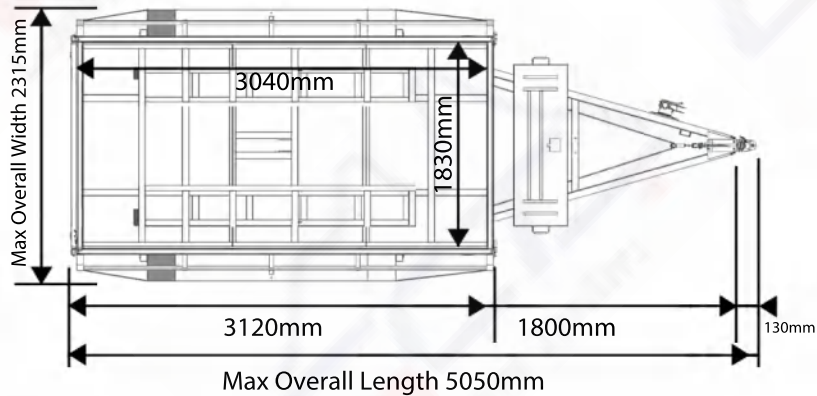
10x6 Hydraulic Tipper Tandem Box Trailer 3500kg

Specifications:

- ATM: 3500kg
- Tare: 1250kg(Exclude cage)
- Capacity: 2250kg
- Internal Trailer Size:
3040mm x 1830mm x 425mm
- Drawbar: 1900mm, 120mm x 52mm Structure C Chanel
- Hot Dipped Galvanised
- Fully Welded Body & Chassis
- Removable Front & Rear Drop Down Gates
- 120 AMP Deep Cycle Battery System, Australia Wide Warranty
- 4.5T 1.2m Hydraulic Cylinder with Hydraulic Power pack
- 2m 2Ton Under Body Slide Loading Ramps
- Flooring: Checker Plate Floor
- Tie Down Rails
- Axle: Dual Axle, 50mm Round Solid Axle
- Brake: 12" Electric Drum On Four Wheels
- Springs: 60mm 7 Leaf 7mm Rocker Roller
- Wheel Size: 15"
- Tyre Size: 195/R15C
- Coupling: 50mm 3500kg
- Jockey Wheel: 8" Swing up
- Tool Box: Aluminium
- Light: 12V-24V, LED
- Plug: 7 Pin, Flat/ Small Round/ Big Round
- 1 Year Limited Warranty



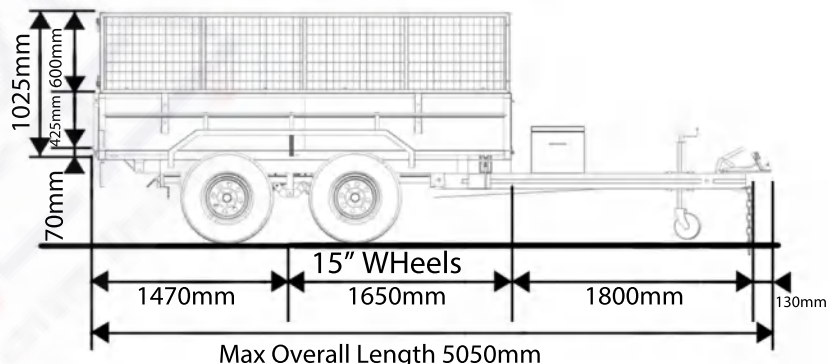
Top view



Side view

Optional Extras/ Upgrades:

- Spare Wheel
- Mounting Spare Wheel Holder
- Removable 600mm/ 900mm Cage
- Canvas Cover For 600mm Or 900mm Cage
- Ladder Racks For 600mm Or 900mm Cage



Max Overall Length 5050mm